



"Since Half a Century"

PRODUCT CATALOG
SIMPLY FOR PROFESSIONALS



With The Excitement Of The First Day

Your European partner...According to the “Special Solution” demands of the “Retail World” and other different industries.. Following a strategy for “sooner delivery, higher-quality and more economical products”...

TABLE OF CONTENT

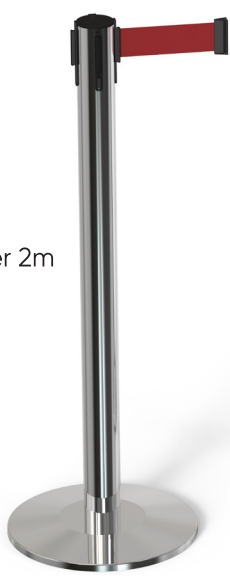
FLEXIBLE STRECH BARRIER SYSTEMS	4	CUSTOMIZED PRODUCTIONS	20
PARTITIONS	6	GAME GROUPS	22
RADAR GATE SYSTEMS	8	BOUTIQUE - TEXTILE ACCESSORY	24
MECHANICAL SWING GATES	10	LIVING SPACES	26
CHECKOUT GATES	12	HARDWARE	30
TURNSTILE	14	AUTOMOTIVE	32
BUMPERS	16	ABOUT US	34
MATERIAL HANDLING TROLLEY	18	CONTACT	36

FLEXIBLE STRECH BARRIER



- Rubber-backed base do not damage the floor.

111 01
Flexible
Strech Barrier 2m



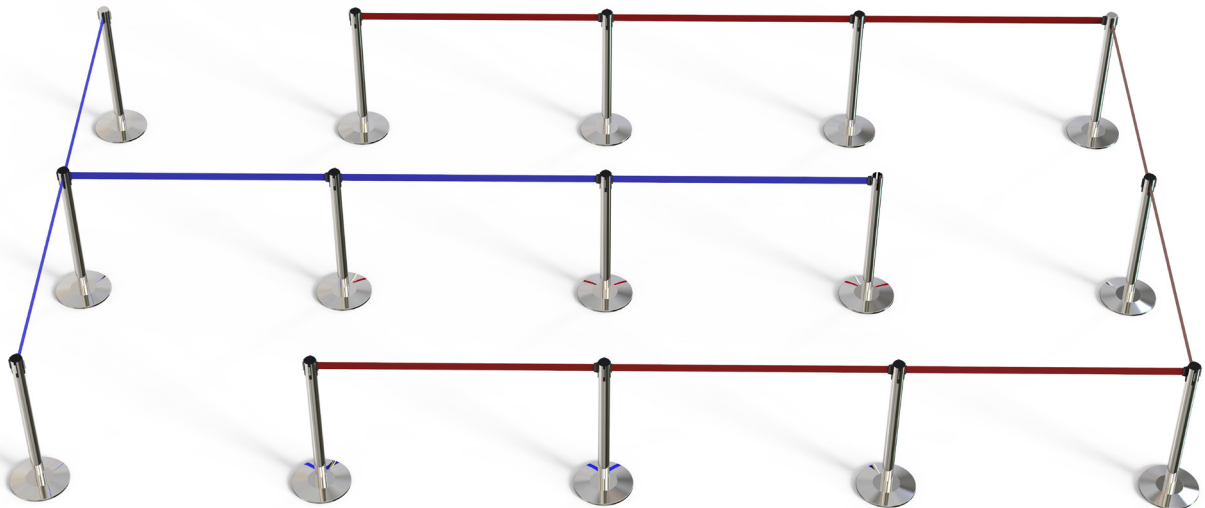
111 011
Flexible
Strech Barrier 3m



111 05 111 051
Wall mount strech barrier



- with 4 rubber base reason, it does not damage the floor and holds perfect



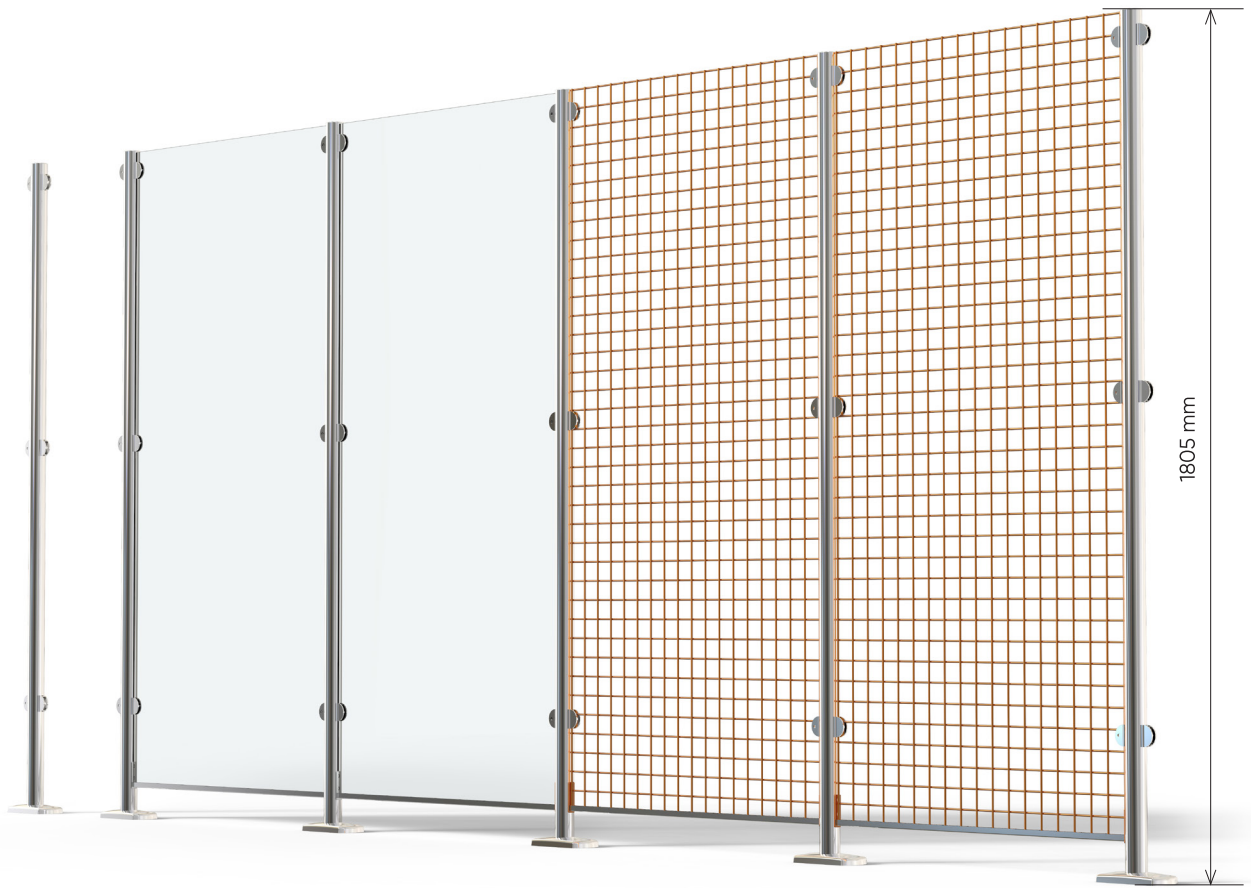
- It is the most economical and practical solution used in many places such as supermarkets, banks, airports and public buildings, through to its flexibility.

PARTITIONS

Off Licence

- Private section dividers that can be opened in both directions in order not to encourage alcohol and similar products.



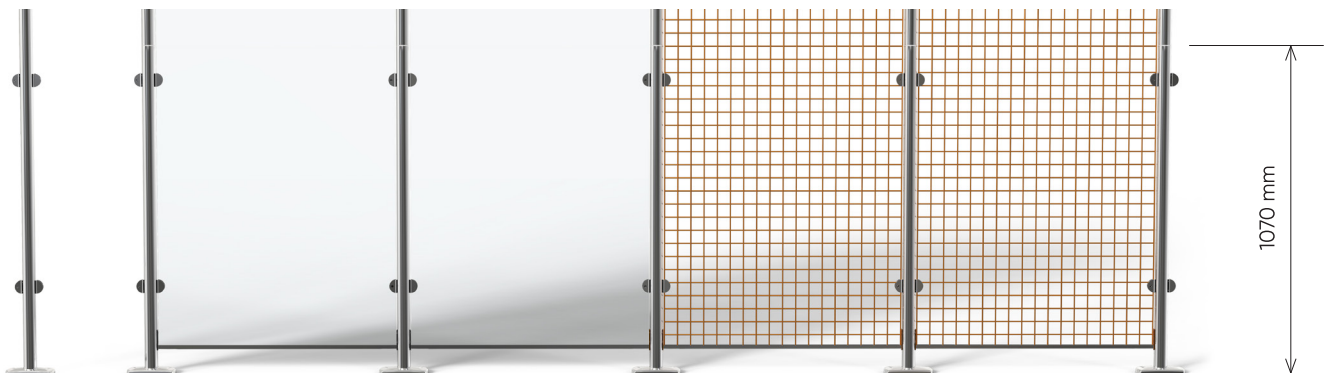


DIVIDER SYSTEMS

- 112 093 High Barrier Upright
- 112 08 Half Barrier Upright

- 112 37 High Plexiglass Panel
- 112 36 Half Plexiglass Panel

- 112 30 High Wire Panel
- 112 31 Half Wire Panel



■ Transparent separator panels are available in two different heights with 'Chrome Plated Wire' and 'Plexiglas' options.

● RADAR GATE SYSTEMS

● Welcoming your guests in the best way possible, this gorgeous turnstile system works without necessitating any contact. These controlled passageway systems with high-tech "Sensitive Radar" preference, are the real revolution in the turnstile industry.





102 02

Radar gate left (with chrome steel arm)

102 01

Radar gate right (with chrome steel arm)

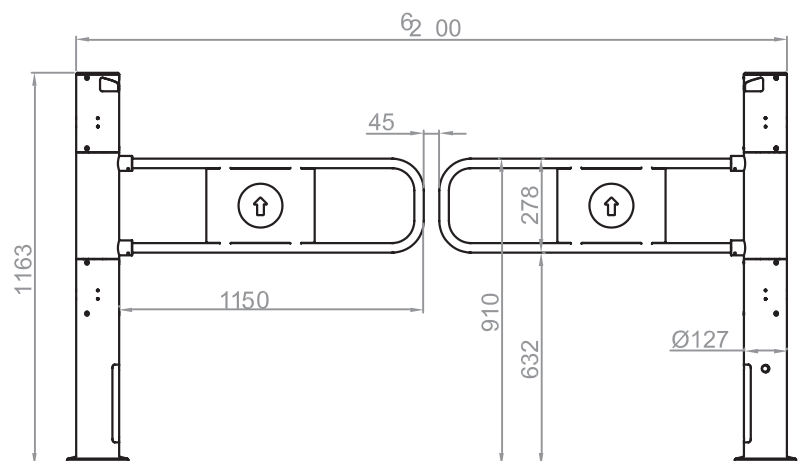
WE offer our customers

- Chrome Plated Steel Arms

Of course ANTI-PANIC is our standard characteristic. By applying a force of about 80 Nw/m to the gate arm, you can force it open in both directions this ensuring the rapid outflow of guests in case of emergency.

Warning beep will become your biggest assistant when there is a fraudulent and unauthorized transit attempt.

Warning beep system is activated when the guests/customers who don't prefer the controlled exit system. The rest depends how you establish an effective communication with your customers.





● Mechanical gates can be conveniently preferred, through to their elegant leaf arms in any sales area. Furthermore, it is a more practical and economical controlled entrance-exit system used in any place necessitating rapid entrance-exit.

SLOW MOTION



● Innovative solutions in the mechanical door without vibraton, unswinging and coming slowly



● Mechanical gate is the most efficient system for non-purchase exits while providing security as a turnstile that can meet all needs for the sales area.

Chrome plated steel arms welcomes your guests with a very little pressure, and rotates back to their original position, through to their due flexibility.

KEY-LOCK practice is widely used for supermarket and hypermarkets nowadays.

The worlds most practical and most valid lock mechanism is patented by END SYSEM.



101 02 SM

101 02

Mechanical left



101 01 SM

101 01

Mechanical right



101 06 SM

101 06

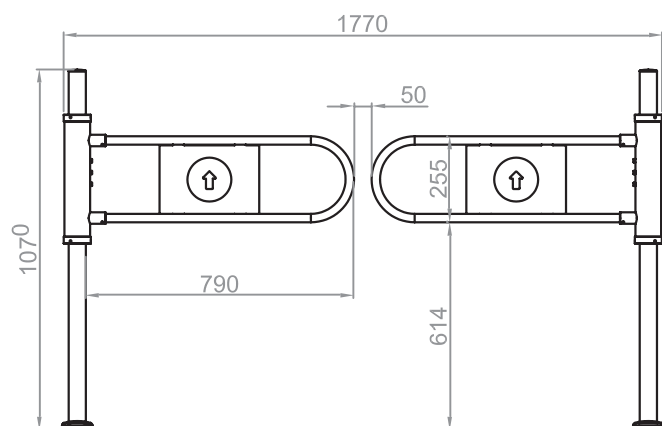
Mechanical gate XL (left)



101 05 SM

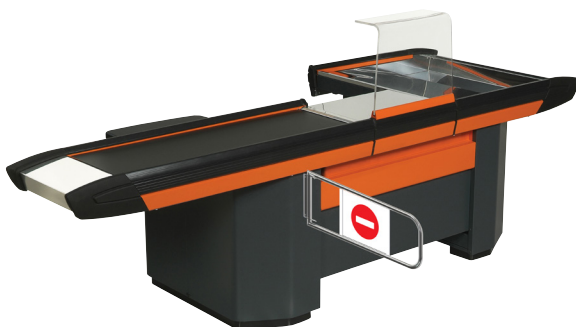
101 05

Mechanical gate XL (right)



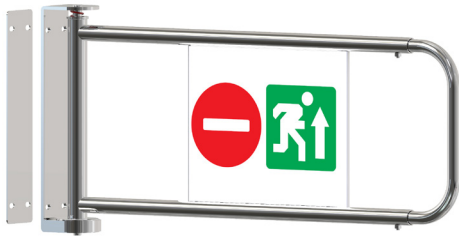
● CHECKOUT GATES

■ The most crucial part of the retail industry is the point where you pay at the end of the shopping. The checkout gate is Opened or Closed according to the customer density and takes control of the payments points.

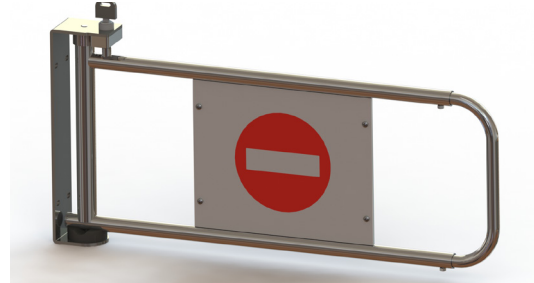


108 01

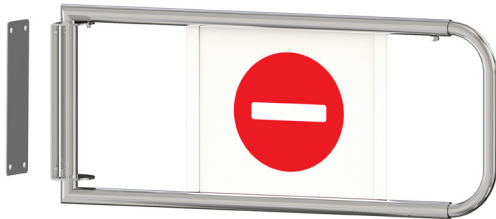
108 05



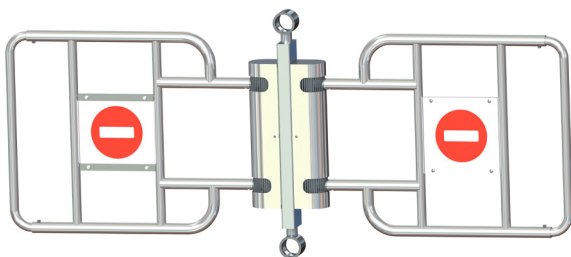
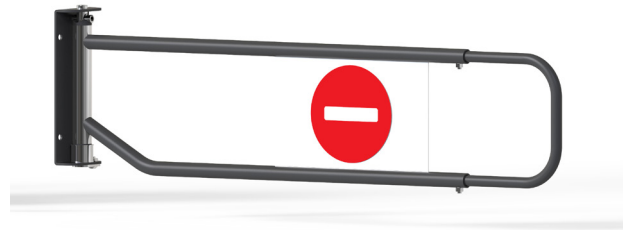
108 04



108 03



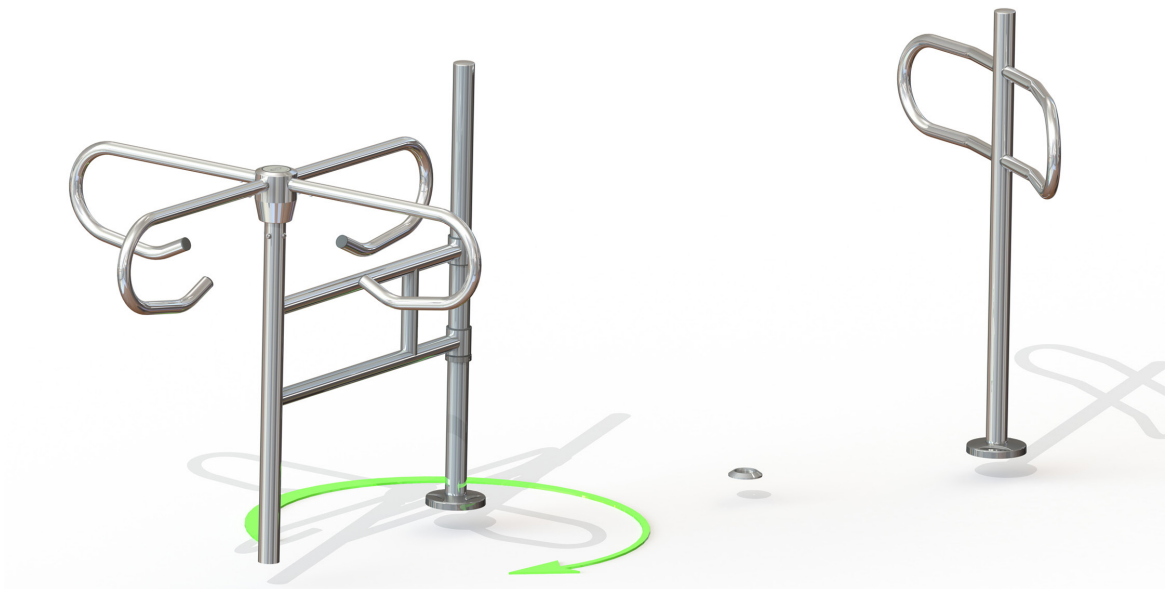
108 21



● We satisfy the needs of the producers in the retail industry with very special checkout gate options and more economical solutions.



● This is the most classical, secure, rational and widely used turnstile system known. It is easy to install and use. These turnstiles, furthermore, are an economical choice.



Turnstile with trolley gate



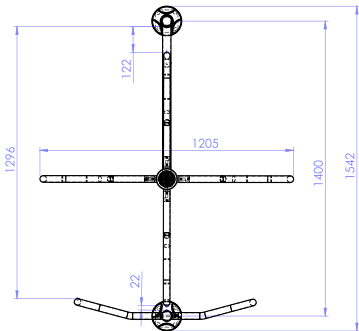
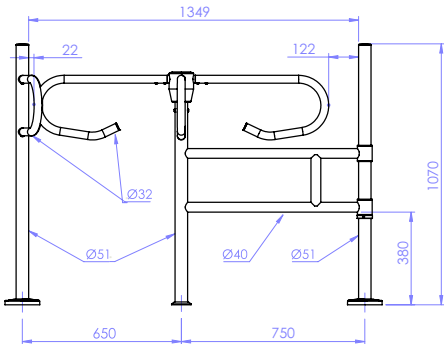
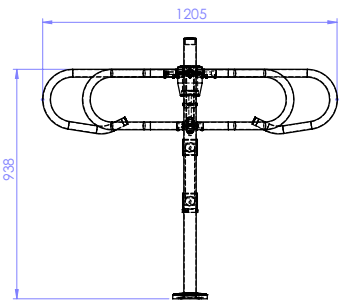
Our strong and mechanical four arm turnstiles can be developed for hundreds of thousands of use. Trolley gate can be used together with turnstile with the additional pipes and accessories.

Turnstiles are not always used for individual transit. Sometimes the whole structure simply rotates on its own axis and makes the passage available for the transit passing. This saves you workforce and time.



105 01

Turnstile



BUMPERS

You can make your controlled directions with guidance post and pipes.

Guidance Post

112 01

112 02

112 03

112 04

112 05

Post Connection Tubes

112 21

112 22

112 23

112 25



120 10

Corner Barrier Metal Ø40



120 40

Semicircle Gondola Barrier
Ø120cm / Ø40 Tube

Parking Barriers

Regular visual areas for trolleys mean convenience for customers.



120 04



120 05



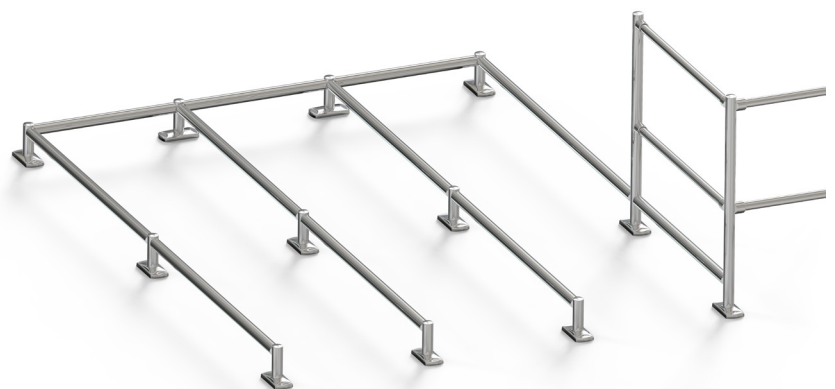
120 06



120 07



120 08



We can offer tailor-made and multi-purpose solutions for the protection of store equipment and products.

Floor Barrier Supports

Safer and aesthetic solutions against bumps and impacts at retail points.



120 02
Left

120 03
Middle

120 04
Right



MATERIAL HANDLING TROLLEY

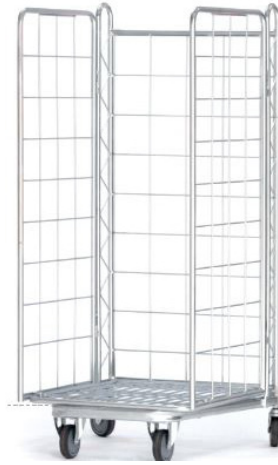
- It is much easier to carry heavy loads safely.



T0800



T0830



T0820



T1401



T1405



- Great supporter in internal and external logistics transportation





CUSTOMIZED PRODUCTIONS

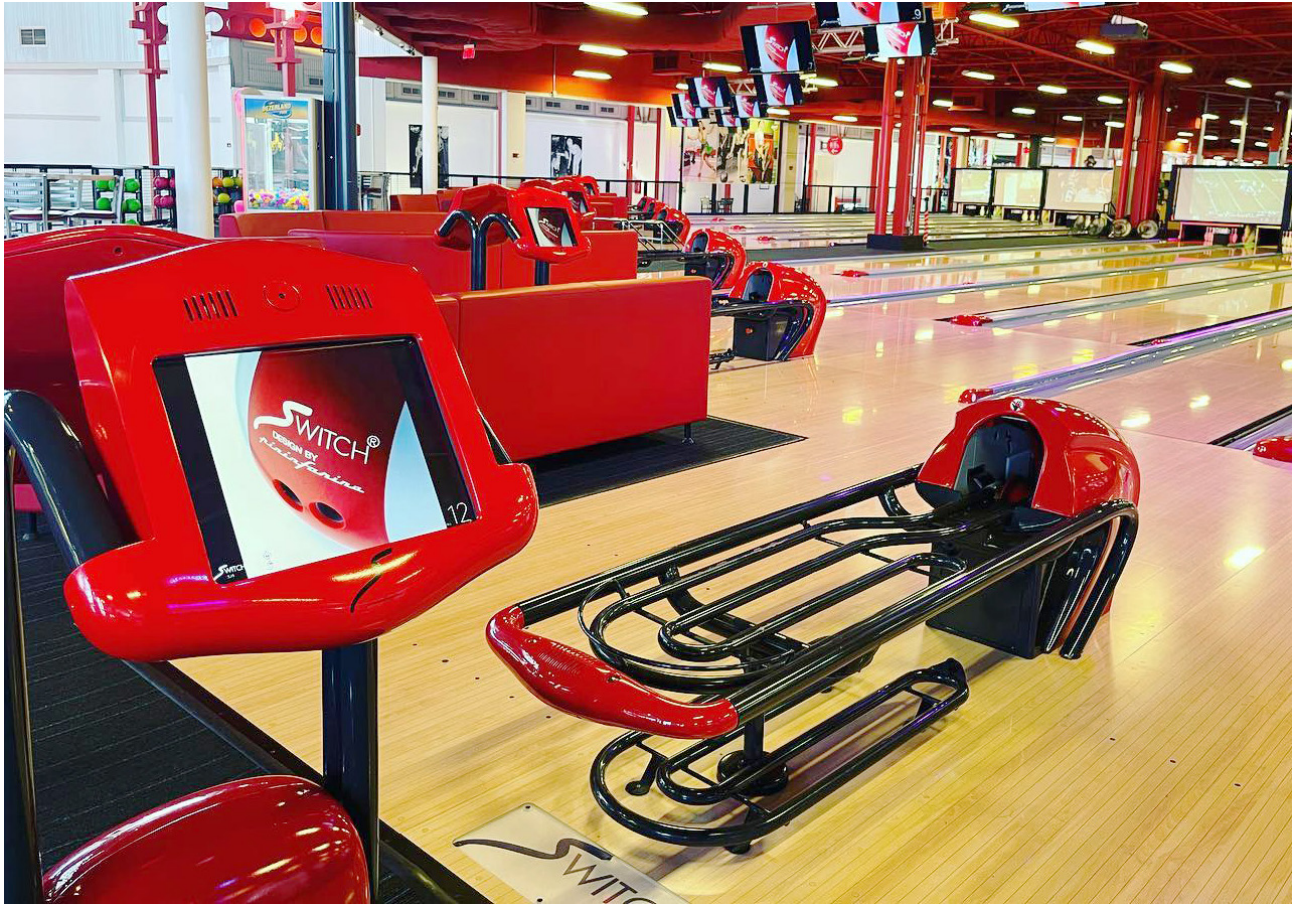
TABLE OF CONTENT

GAME GROUPS	22
BOUTIQUE - TEXTILE ACCESSORY	24
LIVING SPACES	26
HARDWARE	30
AUTOMOTIVE	32
ABOUT US	34



● With its unique design with international appeal, Switch® reshaped bowling.

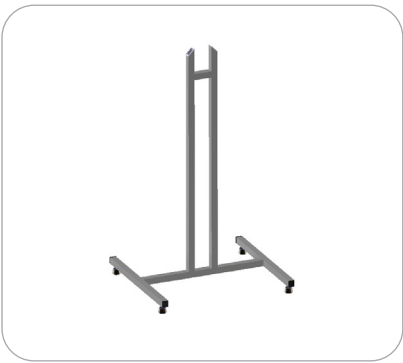




■ Pinball Equipments

Pinball equipments with signing enjoyable matches at the table.

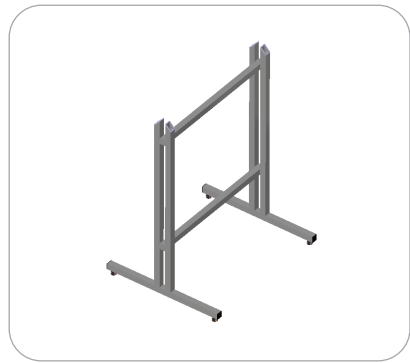




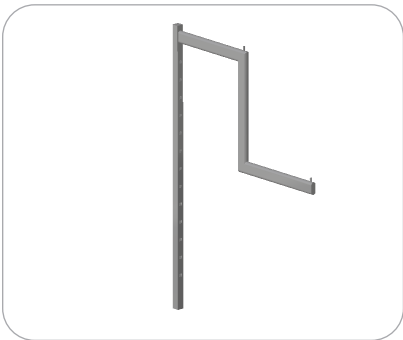
"T" Type Hanger Stand Frame



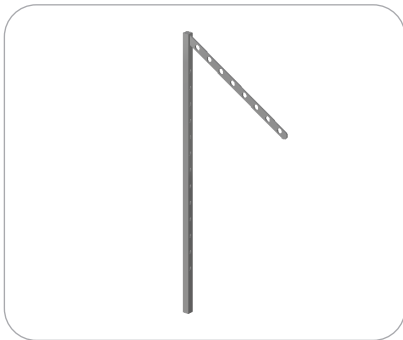
Triangle Hanger Stand Frame



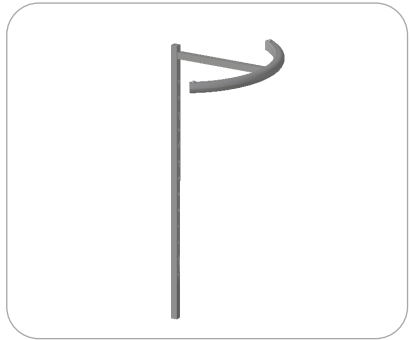
Double "T" Type Hanger Stand



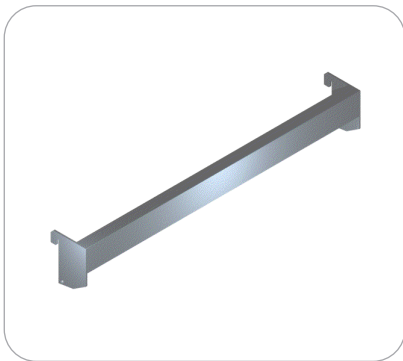
Hanger Stand Stepped Hanger Arm



Hanger Stand Sloping Perforated Hanger Arm



Hanger Anchor Type Hanger Arm



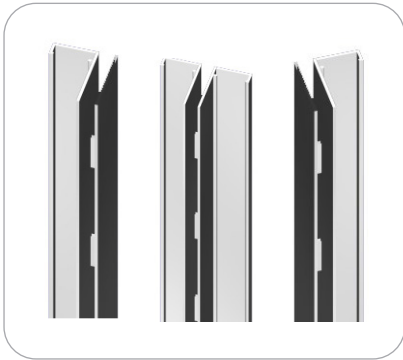
Profile Hanger Bar



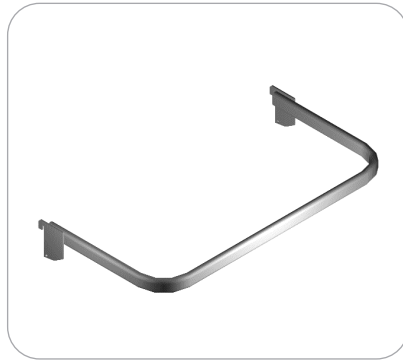
Oval Sloping Beady Hanger For Profile



Oval Plain Hanger For Profile



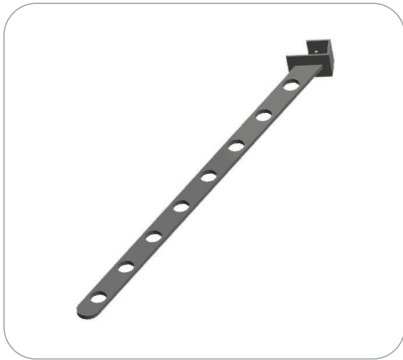
Aluminium Single Slotted Upright



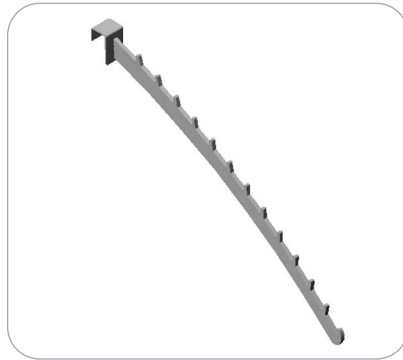
Oval "U" Hanger



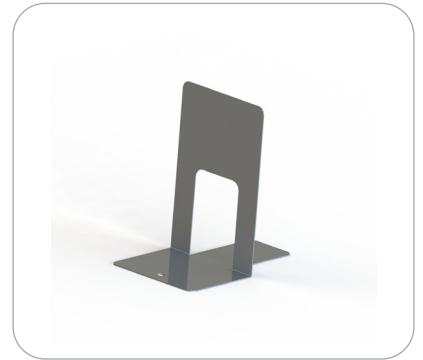
Hanger Bar



Lama Sloping Hanger With Holes For Profile



Notched Sloping Lama Hanger For Profile

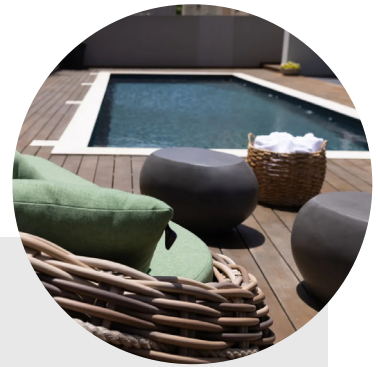


Book Holder



Pool House

Easy assembly feature thanks to the modular designs of Naceo architects.



Round Coffee Table Carcass



Rectangular Table



Alpha Table Leg



Coat Rack



Sideboard



Dresser



Coat Rack

Stepbox

Safe practical access with Naceo at every point of living spaces at home, in the library, in the pharmacy.



Camelia Bar Table Carcase



Foldable Table Inox



Foldable Table Pin



Geven Wall Shelf



Pouf Carcase



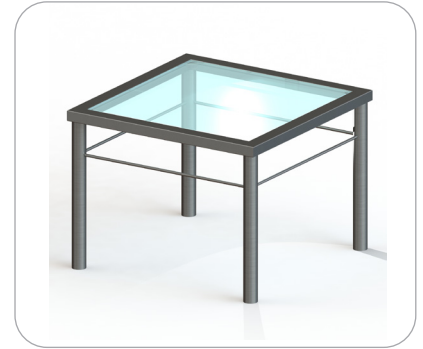
Round Bistro



Susen Shelf Set



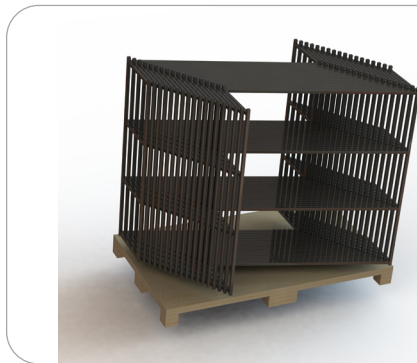
Round Coffee Table



Square Glass Table Carcase



Venta Bar Chair



Z Shelf



Round Coffee Table



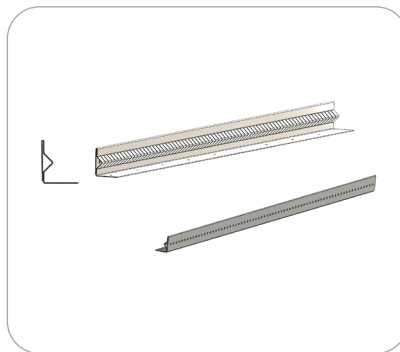
Seramoni Shelf Set 4



Tuana Shelf Set



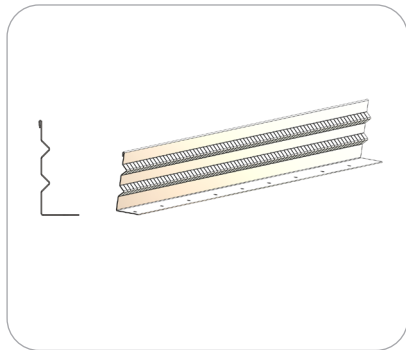
Hardware Box



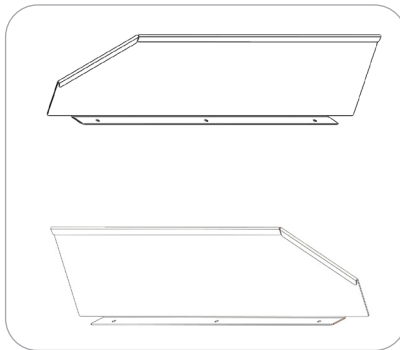
Hardware Box Plate Front With Hanging Holes



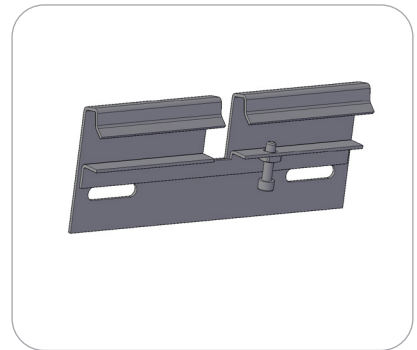
Hardware Box Plate Front



Hardware Box Plate Rear



Separator



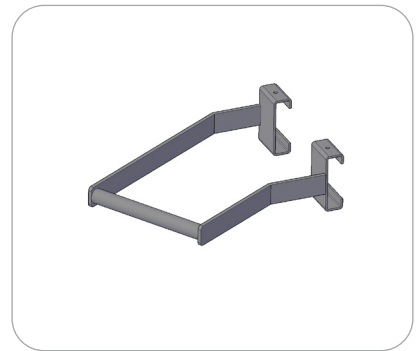
Closed Lit Display



Tiles Display Stand A1



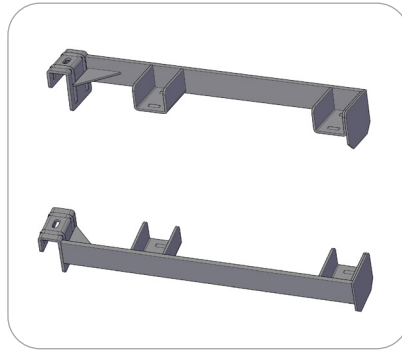
Cable Roll Holder



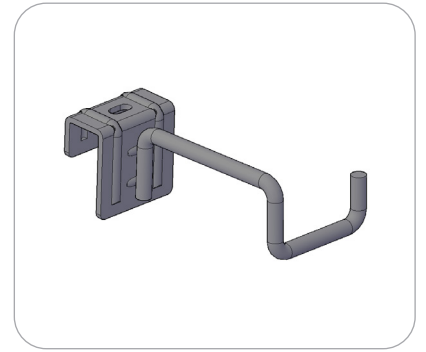
Holder For Bath Mat



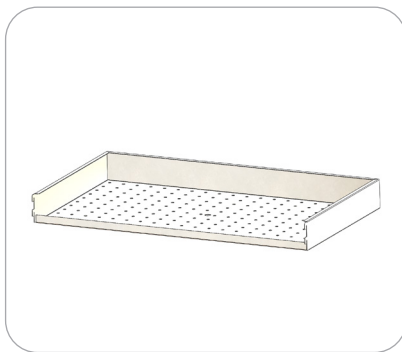
Adjustable Bracket For Tiles Podium



Holder For Fabric Robine



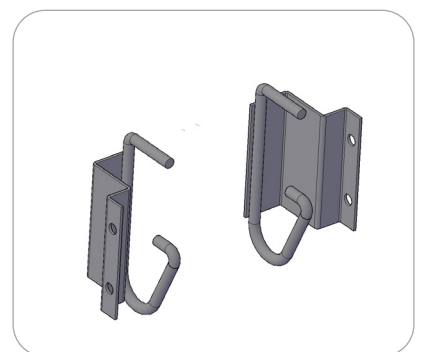
Holder For Grass Cutting



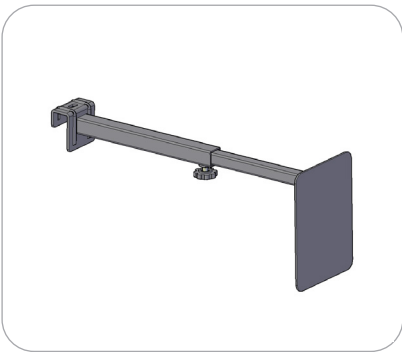
Perforated Decorative



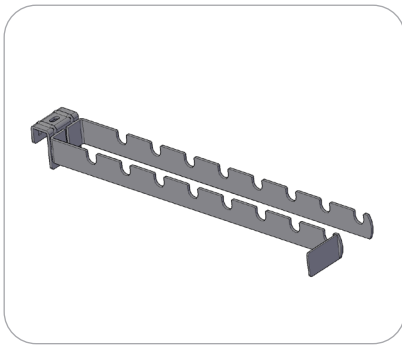
Perforated Shelf



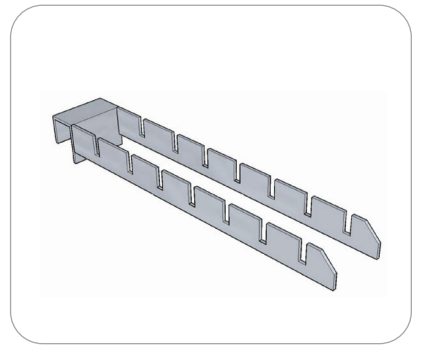
Pipe Holder



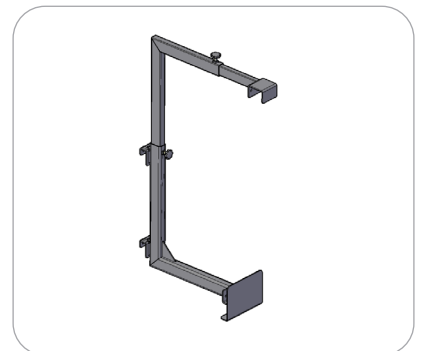
Banner Stand



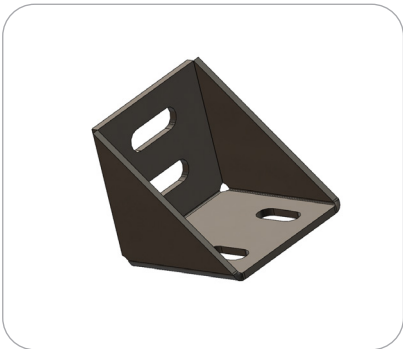
Appliance Handle Holder



Saw Holder For Bar



Sink Holder



Corner Support



Duster Protection Kit



Mechanism Arm



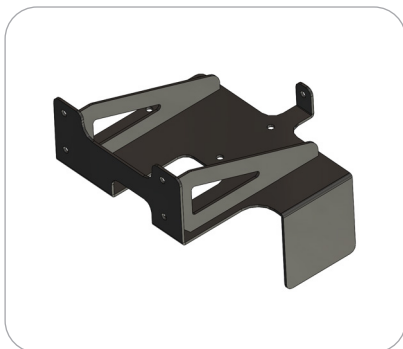
Pneumatic Mechanism Support



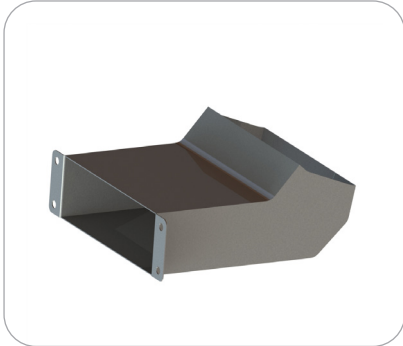
Support Part



Thermal Protection Plate



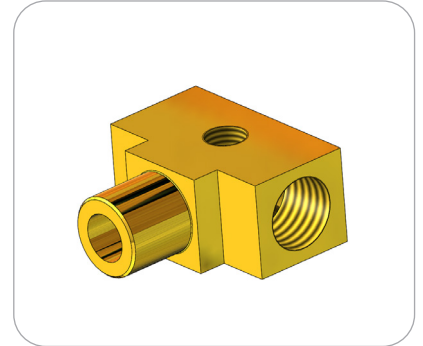
Thermal Unit Support



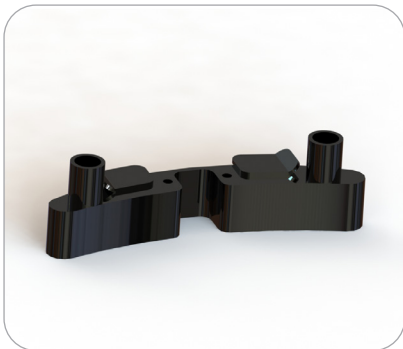
Air Discharge Tunnel



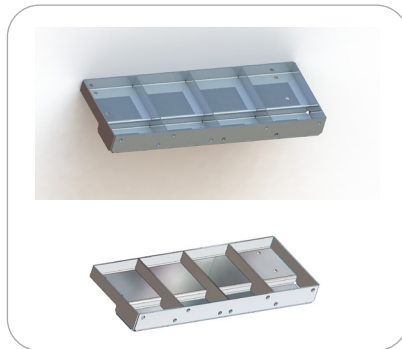
Air Dryer Support



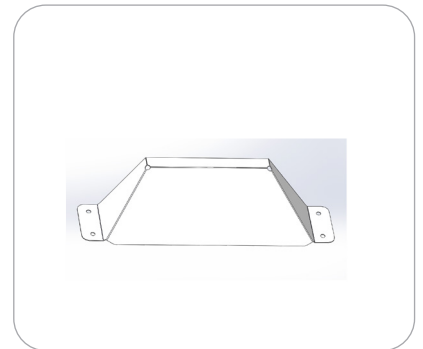
Brass Adapter



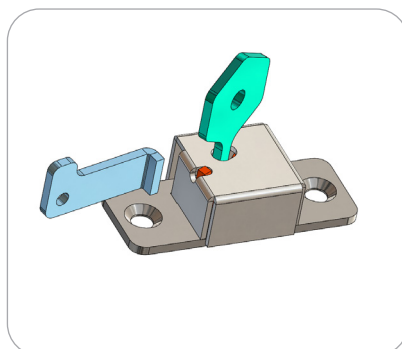
Cable Guide Part



Carcase Support Stainless



Carcase Connection



Container Lock



● Our Founding Chairman Huseyin Taspatlatan, with 50 years of extensive knowledge and experience, is known for his innovative approach in the industrial world, specialising in the "store equipment" industry.

End systems is your European Partner providing "Special Solutions" for the "Retail World" following a strategy for 'sooner delivery, higher quality and more economical products'...

As a company policy, our preference in recognition, is to operate with a "Lean System", the company has transferred its product range into a boutique structure. End System continues its trade by pursuing the target of being "Number One" in the field of TURNSTILE SYSTEMS.





MISSION

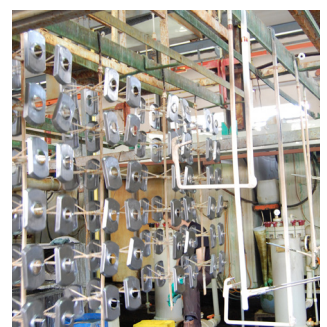
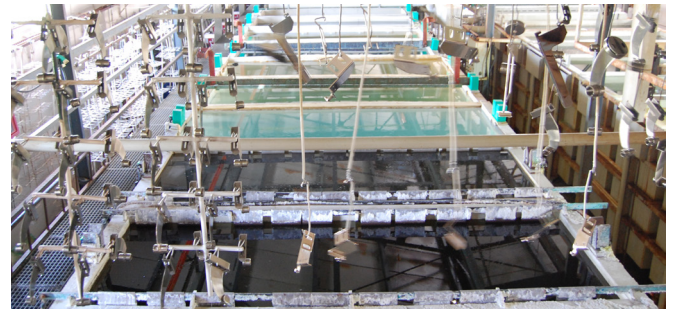
Our mission is on time delivery of higher-quality, nicer and more practical products with more economical solutions in the Turnstile Systems and Accessories industry.

VISION

Our vision is to be "Number 1" with ergonomic designs and practices in every point in need of controlled mechanical swing gates.

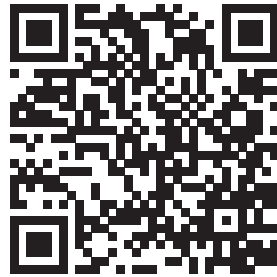
QUALITY POLICY

According to the vision of END SYSTEM, our quality policy aims to develop highly secure products which duly satisfy the expectations of our customers bearing in mind the technological change.





Contact Us



Doğanköy Cumhuriyet Cad. No: 21
16110 Nilüfer-Bursa / TÜRKİYE

P : +90 224 271 28 93

F : +90 224 271 28 94

M: +90 543 271 28 93

E : endsystem@endsystem.com.tr

w : www.endsystem.com.tr